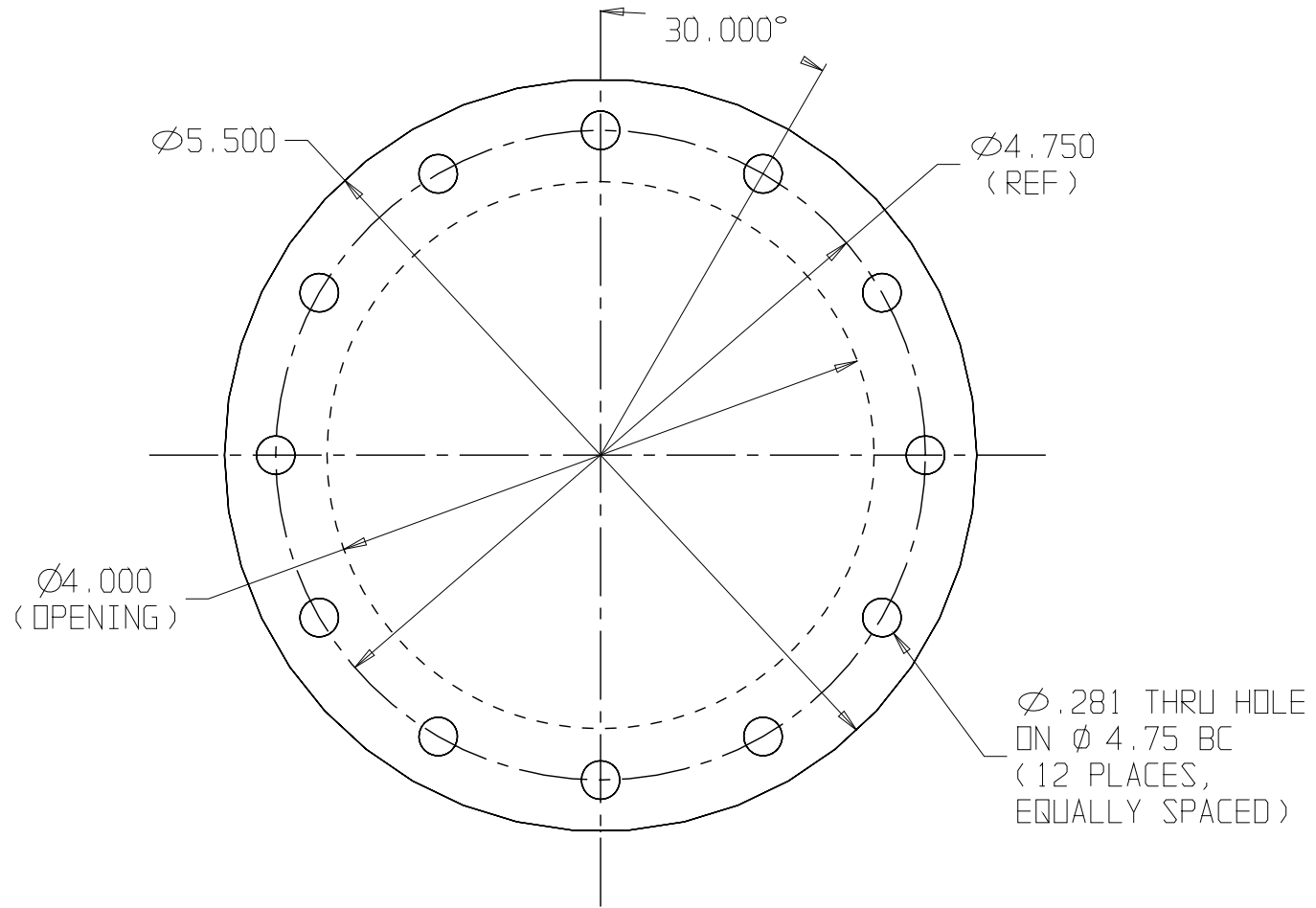



REV #	REVISION NOTE	DATE	DRAWN	CHECKED
-	DRAWING RELEASE FOR CUSTOMER USE	06/03/2011	OCJ	DL



 45 SPEAR ROAD INDUSTRIAL PARK RANSEY, N.J. 07446 USA TEL: (201) 825-1400 FAX: (201) 825-1962		TF107	
PROPRIETARY AND CONFIDENTIAL THIS DRAWING AND ITS CONTENTS ARE THE SOLE AND EXCLUSIVE PROPERTY OF AERO TEC LABORATORIES INC. ANY UNAUTHORIZED DISTRIBUTION OR USE WITHOUT WRITTEN PERMISSION FROM AERO TEC LABORATORIES INC IS STRICTLY PROHIBITED.			
ALL DIMENSIONS SHOWN IN INCHES UNLESS OTHERWISE SPECIFIED		TOLERANCE UNLESS OTHERWISE SPECIFIED FABRICATION MACHINED	
CUSTOMER DWG/PART NO.		SIZE: A FSCM NO. 63775 DWG NO. 10-2233 REV. -	
		SCALE: N/A DATE: 06/03/2011 SHEET: 1 OF 1	

4.75"-12 COVER PLATE