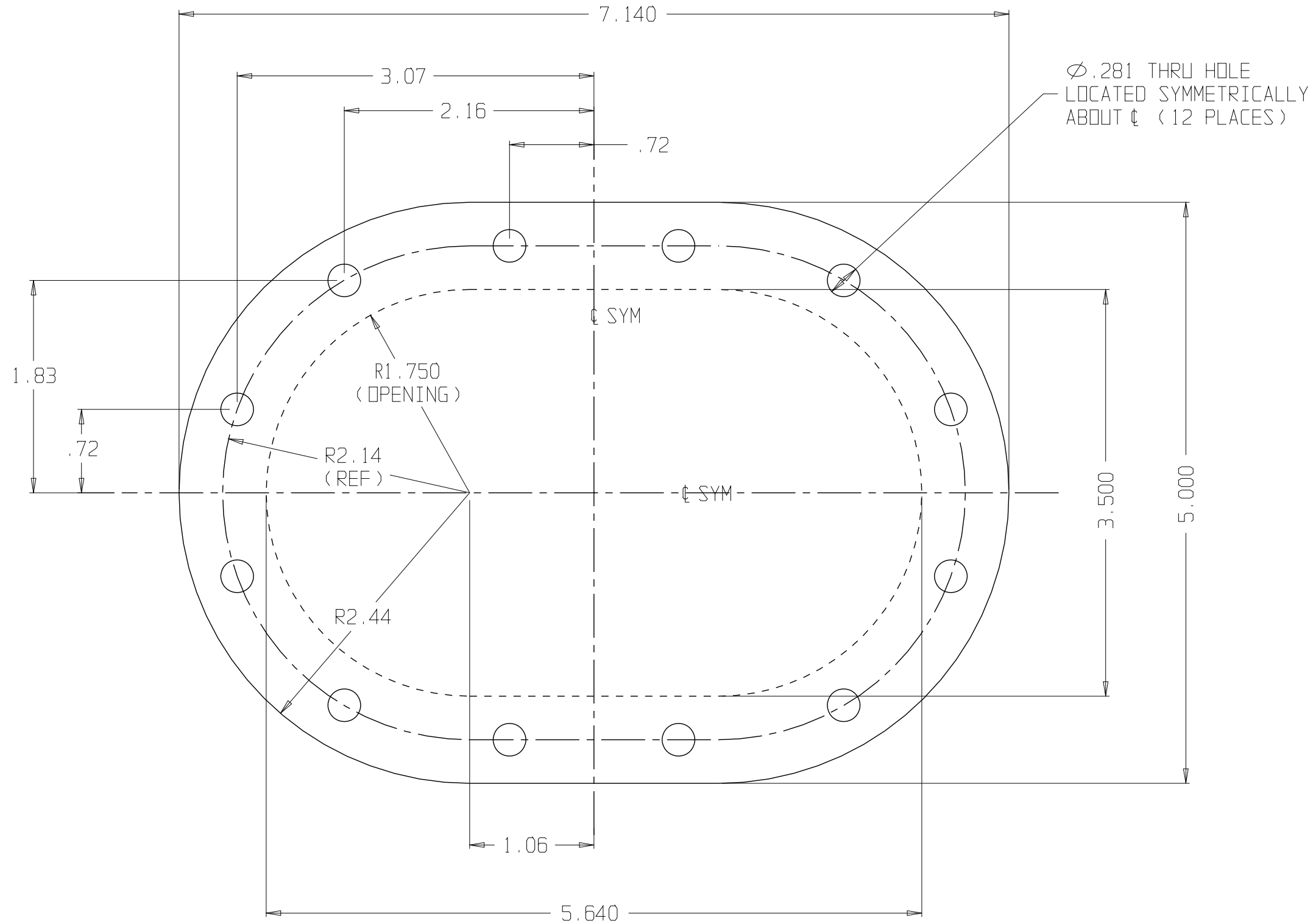



REV #	REVISION NOTE	DATE	DRAWN	CHECKED
-	DRAWING RELEASE FOR CUSTOMER USE	06/03/2011	OCJ	DL



 45 SPEAR ROAD INDUSTRIAL PARK RAISBY, N.J. 07446 USA TEL: (201) 825-1400 FAX: (201) 825-1962		TF109										
<small>PROPRIETARY AND CONFIDENTIAL THIS DRAWING AND ITS CONTENTS ARE THE SOLE AND EXCLUSIVE PROPERTY OF AERO TEC LABORATORIES INC. ANY UNAUTHORIZED DISTRIBUTION OR USE WITHOUT WRITTEN PERMISSION FROM AERO TEC LABORATORIES INC IS STRICTLY PROHIBITED.</small>		4x6 COVER PLATE										
<small>ALL DIMENSIONS SHOWN IN INCHES UNLESS OTHERWISE SPECIFIED</small>	<small>TOLERANCE UNLESS OTHERWISE SPECIFIED</small> <table border="1"> <tr> <td>FABRICATION</td> <td>±.13</td> <td>±.1</td> </tr> <tr> <td>MACHINED</td> <td>±.063</td> <td>±.02</td> </tr> <tr> <td>ANGULAR</td> <td>±.005</td> <td>±.5°</td> </tr> </table>	FABRICATION	±.13	±.1	MACHINED	±.063	±.02	ANGULAR	±.005	±.5°	<small>SIZE:</small> B <small>FSCM NO.:</small> 63775 <small>DWG NO.:</small> 10-0205 <small>REV.:</small> -	<small>SCALE:</small> N/A <small>DATE:</small> 06/03/2011 <small>SHEET:</small> 1 OF 1
FABRICATION	±.13	±.1										
MACHINED	±.063	±.02										
ANGULAR	±.005	±.5°										
<small>CUSTOMER DWG/PART NO.</small>												