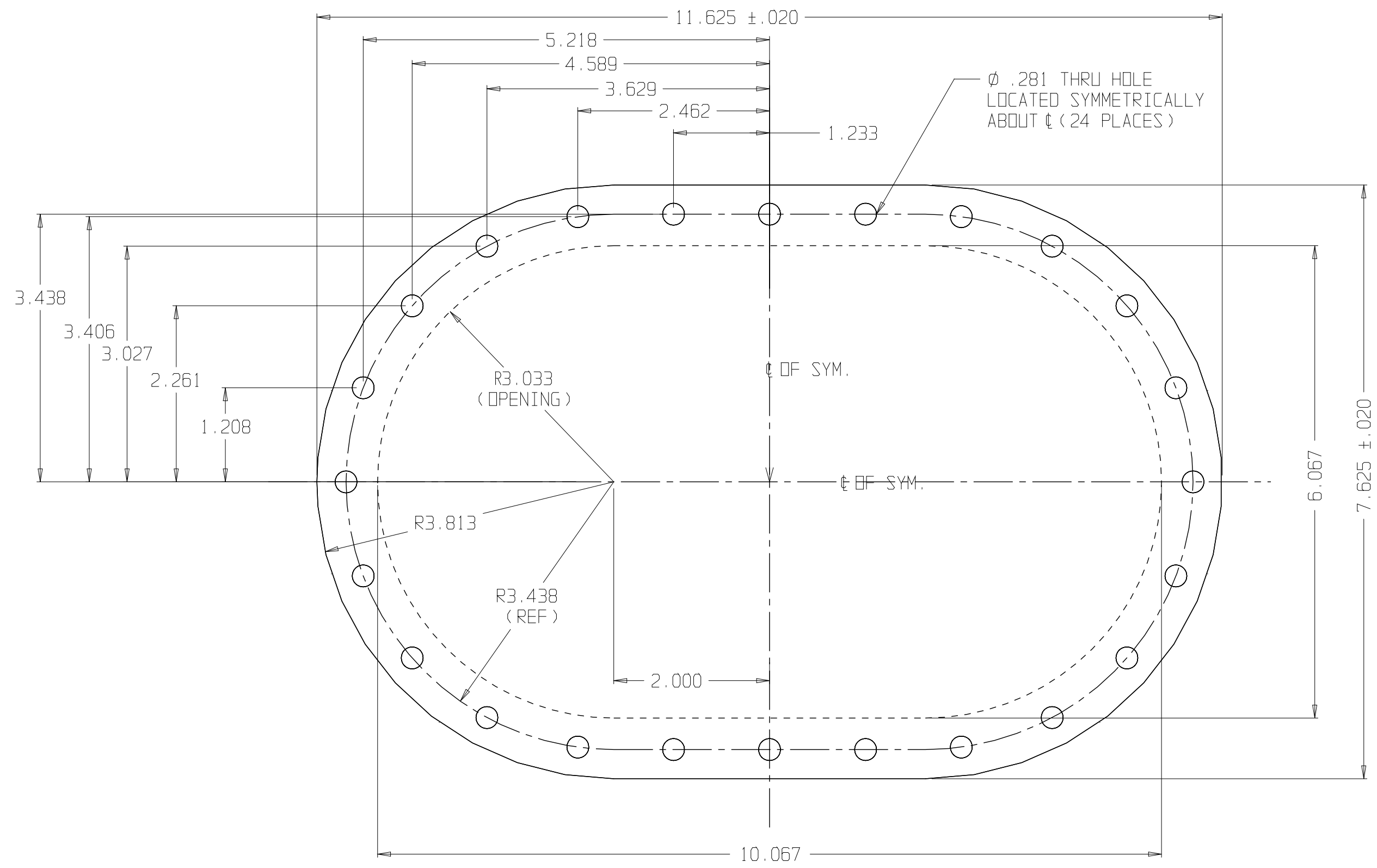


REV #	REVISION NOTE	DATE	DRAWN	CHECKED
-	DRAWING RELEASE FOR CUSTOMER USE	06/03/2011	OCJ	DL



Ø .281 THRU HOLE
LOCATED SYMMETRICALLY
ABOUT ϕ (24 PLACES)

R3.033
(OPENING)

R3.813

R3.438
(REF)

ϕ OF SYM.

ϕ OF SYM.

ATL
AERO TEC LABORATORIES INC.
45 SPEAR ROAD INDUSTRIAL PARK
RAISBY, N.J. 07446 USA
TEL: (201) 825-1400 FAX: (201) 825-1962

TF110

PROPRIETARY AND CONFIDENTIAL
THIS DRAWING AND ITS CONTENTS ARE THE SOLE AND EXCLUSIVE
PROPERTY OF AERO TEC LABORATORIES INC. ANY UNAUTHORIZED
DISTRIBUTION OR USE WITHOUT WRITTEN PERMISSION FROM
AERO TEC LABORATORIES INC IS STRICTLY PROHIBITED.

6x10 COVER PLATE

ALL DIMENSIONS SHOWN IN INCHES UNLESS OTHERWISE SPECIFIED	TOLERANCE UNLESS OTHERWISE SPECIFIED	SIZE: B	FSCM NO. 63775	DWG NO. 10-5213	REV. -
CUSTOMER DWG/PART NO.	.I ±.13 ±.1 .II ±.063 ±.02 .XXX ±.005 ±.5° ANGULAR	SCALE: N/A	DATE: 06/03/2011	SHEET: 1 OF 1	

SIZE: B	FSCM NO. 63775	DWG NO. 10-5213	REV. -
SCALE: N/A	DATE: 06/03/2011	SHEET: 1 OF 1	