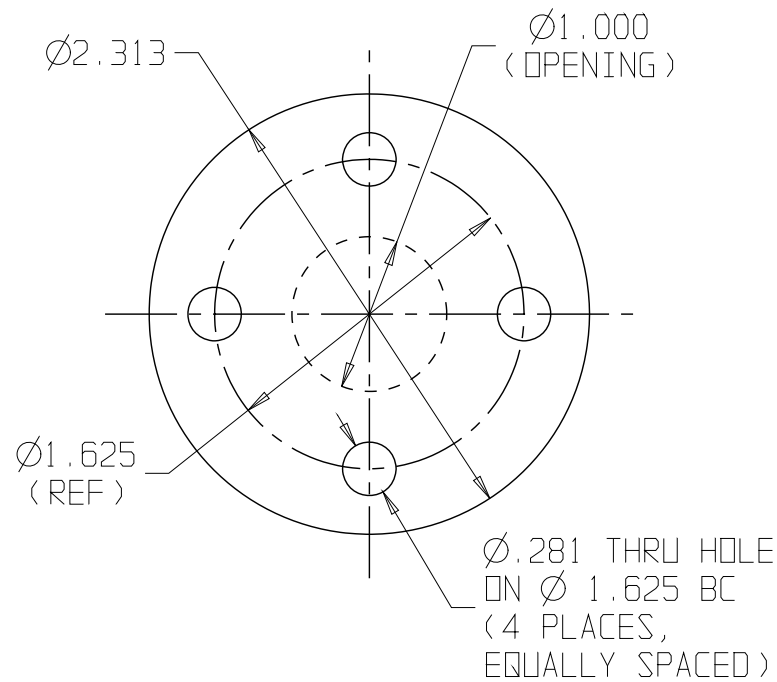



REV #	REVISION NOTE	DATE	DRAWN	CHECKED
-	DRAWING RELEASE FOR CUSTOMER USE	06/03/2011	OCJ	DL



 45 SPEAR ROAD INDUSTRIAL PARK RAMSEY, N.J. 07446 USA TEL: (201) 825-1400 FAX: (201) 825-1962		<h1>TF266</h1>		
PROPRIETARY AND CONFIDENTIAL THIS DRAWING AND ITS CONTENTS ARE THE SOLE AND EXCLUSIVE PROPERTY OF AERO TEC LABORATORIES INC. ANY UNAUTHORIZED DISTRIBUTION OR USE WITHOUT WRITTEN PERMISSION FROM AERO TEC LABORATORIES INC IS STRICTLY PROHIBITED.		<h2>1.62"-4 COVER PLATE</h2>		
ALL DIMENSIONS SHOWN IN INCHES UNLESS OTHERWISE SPECIFIED	TOLERANCE UNLESS OTHERWISE SPECIFIED FABRICATION MACHINED .I ±.13 ±.1 .II ±.063 ±.02 .XIX ±.005 ±.005 ANGULAR ±.5°	SIZE: A SCALE: N/A	PSCM NO. 63775 DATE: 06/03/2011	DWG NO. 10-2232 SHEET: 1 OF 1
CUSTOMER DWG/PART NO.				REV. -