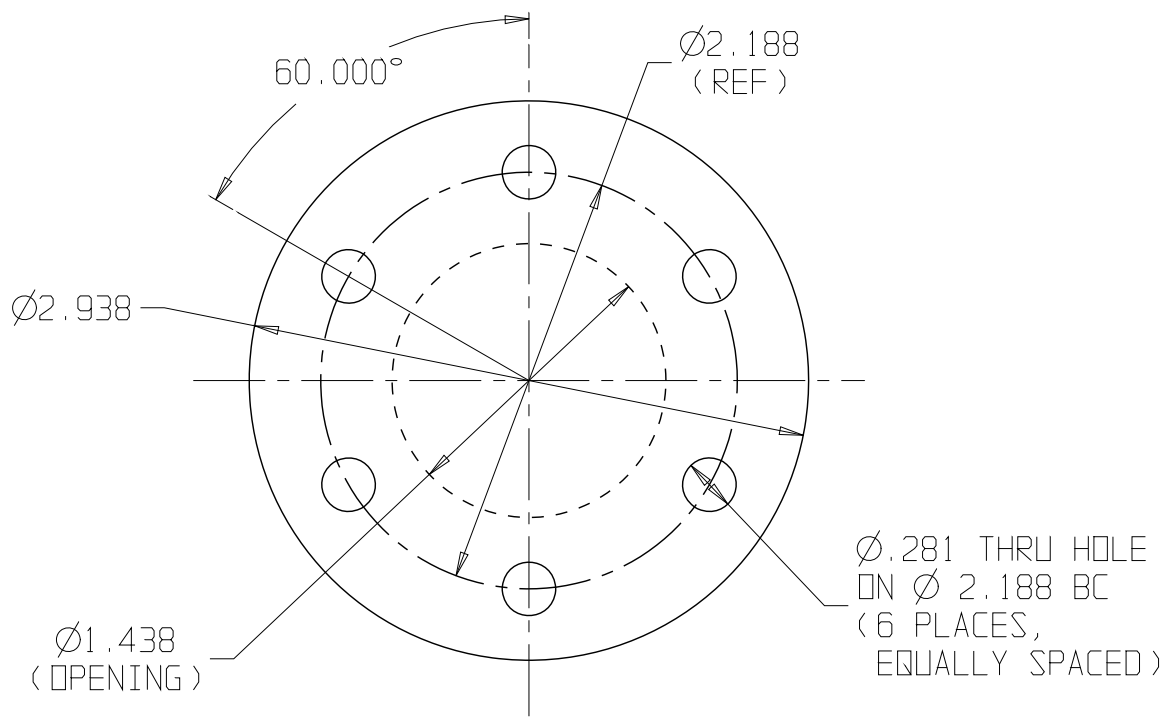



| REV # | REVISION NOTE | DATE | DRAWN | CHECKED |
|-------|----------------------------------|------------|-------|---------|
| - | DRAWING RELEASE FOR CUSTOMER USE | 06/03/2011 | OCJ | DL |



| | | | | | |
|---|---|--|------------|------------------------------|----------------------------|
|  ATL AERO TEC LABORATORIES INC. | | 45 SPEAR ROAD INDUSTRIAL PARK RANSEY, N.J. 07446 USA TEL: (201) 825-1400 FAX: (201) 825-1962 | | <h1>TF494</h1> | |
| PROPRIETARY AND CONFIDENTIAL THIS DRAWING AND ITS CONTENTS ARE THE SOLE AND EXCLUSIVE PROPERTY OF AERO TEC LABORATORIES INC. ANY UNAUTHORIZED DISTRIBUTION OR USE WITHOUT WRITTEN PERMISSION FROM AERO TEC LABORATORIES INC IS STRICTLY PROHIBITED. | | | | <h2>2.18"-6 COVER PLATE</h2> | |
| ALL DIMENSIONS SHOWN IN INCHES UNLESS OTHERWISE SPECIFIED | TOLERANCE UNLESS OTHERWISE SPECIFIED FABRICATION | MACHINED | SIZE: A | PSCM NO. 63775 | DWG NO. 10-2234 |
| CUSTOMER DWG/PART NO. | .I ±.13 .II ±.063 .XIX ANGULAR | ±.1 ±.02 ±.005 ±.5° | SCALE: N/A | DATE: 06/03/2011 | REV. - SHEET: 1 OF 1 |